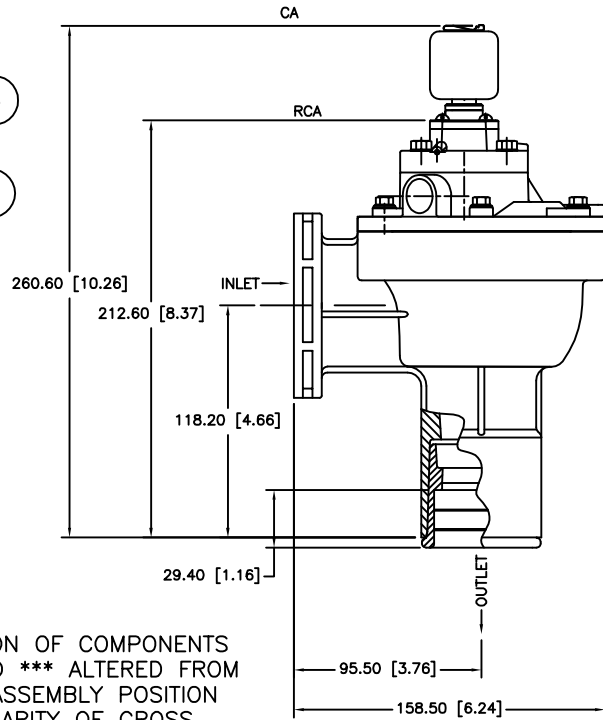
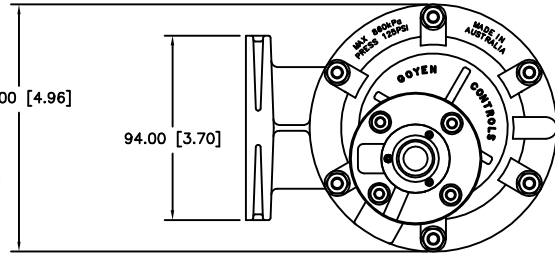
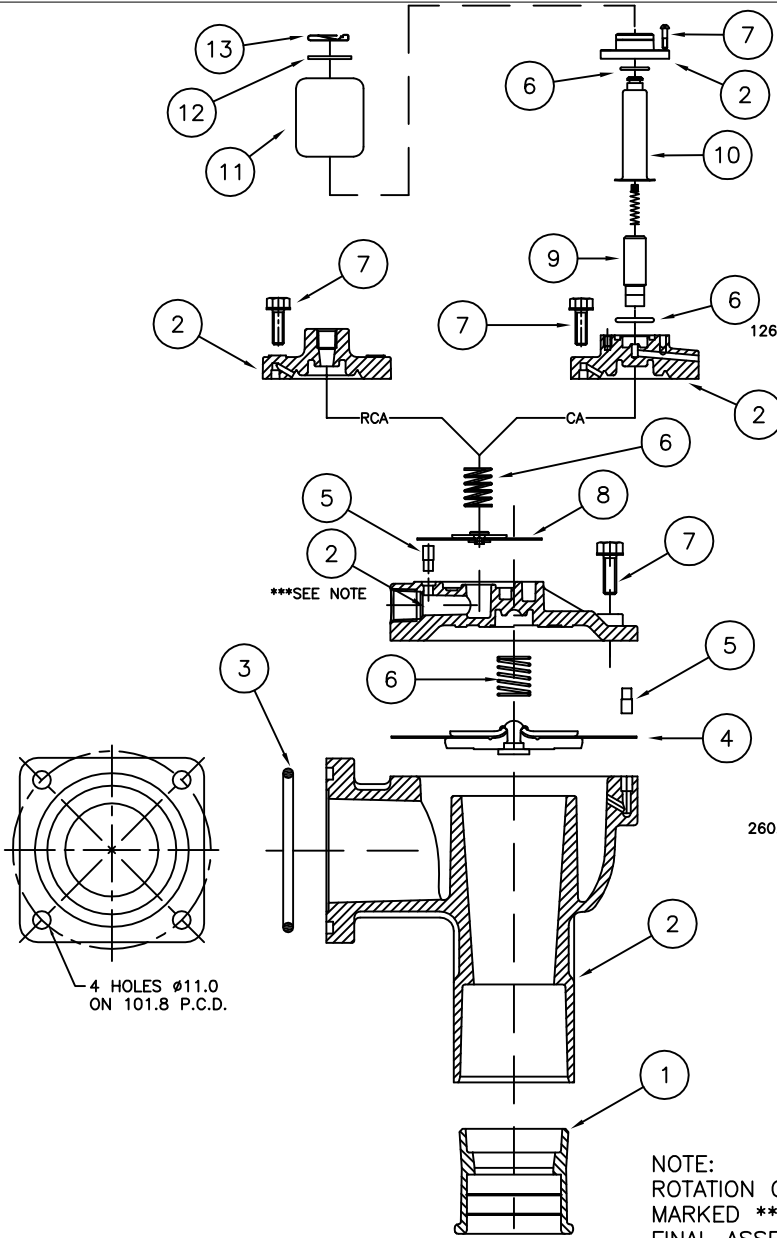




CA & RCA
45 FS



NOTE:
ROTATION OF COMPONENTS
MARKED *** ALTERED FROM
FINAL ASSEMBLY POSITION
FOR CLARITY OF CROSS
SECTION

MECHANICAL DETAILS

No	DESCRIPTION	STANDARD MATERIAL	PORT OPTIONS	HI TEMP MATERIALS	KIT No STANDARD	KIT No HIGH TEMP
1	SLIDE SEAL	EPDM	N/A	VITON	-	-
2	BODY & COVER	ALUM DIE CAST CA313	ø2" INLET/ø1 1/2" OUTLET	AS STANDARD	-	-
3	O' RING	NITRILE	N/A	VITON	-	-
4	MAIN DIAPHRAGM ASS'Y	BUNA N / NYLON	N/A	VITON	K4502	K4503
5	BLEED PIN	TURNED ALUMINIUM	N/A	AS STANDARD	-	-
6	MAIN SPRING	304 STAINLESS STEEL	N/A	AS STANDARD	-	-
7	SCREW	304 STAINLESS STEEL	N/A	AS STANDARD	-	-
8	SECONDARY DIAPHRAGM	BUNA N / BUNA N RUBBER	N/A	VITON	-	-
9	PLUNGER ASS'Y	430 FR ST/STL	N/A	AS STANDARD	K0380	N/A
10	FERRULE/IRON TOP ASS'Y	305 STAINLESS STEEL	N/A	AS STANDARD	-	-
11	COILS	130° RATED NYLON ENCAPSULATION			TBA	N/A
12	WASHER	PRESSED ALUMINIUM	N/A	AS STANDARD	-	-
13	CLIP	MECH PLATED SPRING STEEL	N/A	AS STANDARD	-	-

ELECTRICAL DETAILS

COIL VOLTAGE	200/240 VAC, 100/120 VAC, 24 VAC, 24 VDC, 12 VDC
COIL CONNECTION	QR - DIN CONNECTION QD CONDUIT ENTRY

WEIGHTS

UNIT WEIGHT	RCA = 1.610 Kg	CA = 1.830 Kg
-------------	----------------	---------------

DOC No	CAS_DG_45FS
REVISION No	5
ISSUE DATE	28.3.06